

M12 FEMALE 90° FIELD-WIREABLE SCREW TERM.8-pol. max.0.5mm² 6-8mm

Female 90°

M12, 8-pole

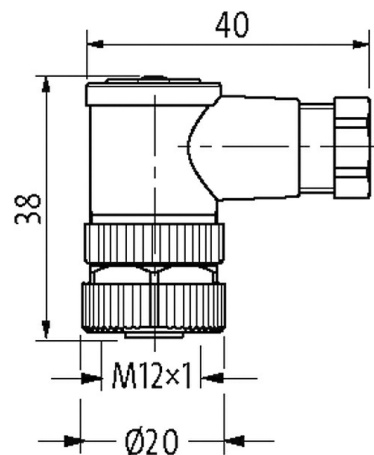
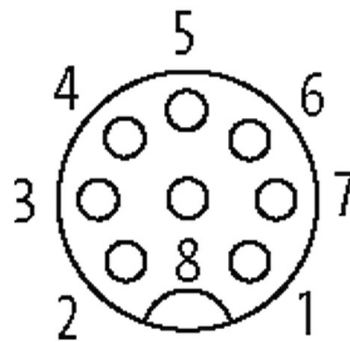
Sealing range (cable Ø): 6...8 mm

Plastic housings with good resistance against chemicals and oils.

The resistance to aggressive media should be individually tested for your application. Further details on request.

Illustration

Female



Product may differ from Image

Approvals**Form**

Form 17331

Technical Data

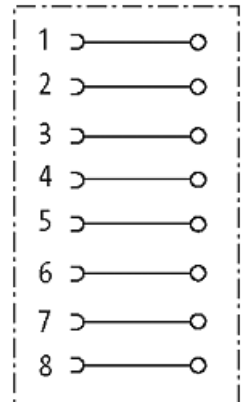
Operating voltage	max. 30 V AC/DC
Operating current per contact	max. 2 A
Connection cross section	max. 0.5 mm ²
Sealing range (cable Ø)	6...8 mm
Locking of ports	Screw thread (M12×1 mm) recommended torque 0.6 Nm, self-securing
Protection	IP67 inserted and tightened (EN 60529)

General data

Temperature range -40...+85 °C

Commercial data

country of origin	DE
customs tariff number	85366990
EAN	4048879195324
eClass	27279221
Packaging unit	1

Sketch

Product may differ from Image